

SR3370

ROUGH TERRAIN SCISSOR

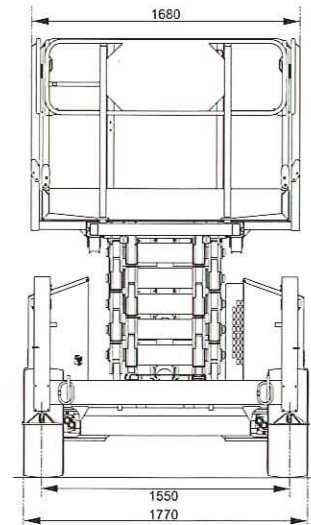
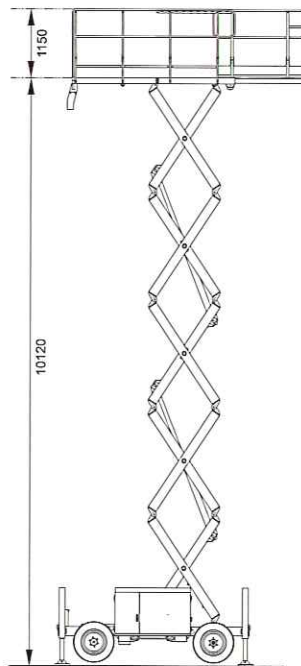
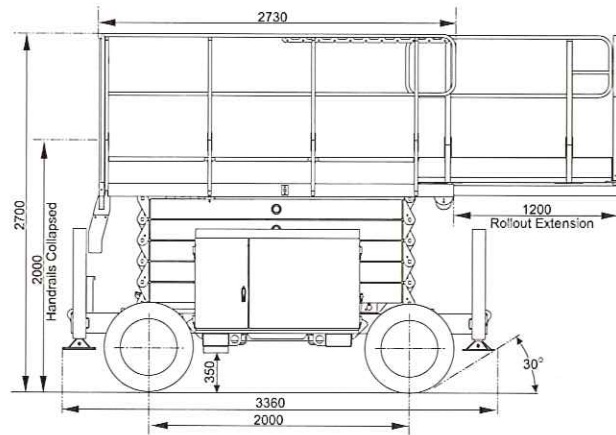


Snorkel

INTERNATIONAL

SPECIFICATIONS

Working height	12. <i>12m</i>	39' <i>2"</i>
Platform:		
Height (On stabilisers)	10.12m	33'2"
Lift capacity	450kg	990lbs
Size	2.73 x 1.65m	8'11" x 5'5"
Roll out deck	1200mm	48"
Guard rail height	1.10m	43.3"
Toe board height	150mm	6"
Stowed height	2.7m	8'10"
Stowed height (Hand rails folded down)	2.0m	6'6"
Overall width	1.77m	5'9"
Overall length	3.36m	11'
Wheelbase	2m	6'6"
Turning radius:		
Inside	2.38m	7'8"
Outside	4.75m	15'6"
Gradeability	35%	
Maximum wind speed (12.5m/s)	45km/h	28mph
Drive speed:		
Below 2.4m	0-7km/h	0-4.3mph
Above 2.4m	0-.8km/h	0-0.5mph
Platform lift speed	50sec	
Power source	Diesel engine	
Ground clearance	350mm	<i>13.8"</i>
Exit / Entry angle	30 degrees	
Tyres:		
Size	27" x 10.5"	
Type	Poly filled loader lug	
Weight	3620kg	7964lbs
Axle	Articulating	



STANDARD FEATURES

- Proportional speed control
- 35% gradeability
- Large 1200mm multi-position extension deck
- Easy access to hydraulic and electric components
- Reliable diesel engine
- Lockable hinged covers
- Lifting lugs / tie down rings
- Ground controls with temperature gauge, ammeter, and hourmeter
- Independently operated hydraulic outriggers with auto level
- Large tyres with 350mm ground clearance
- Forklift pockets
- Independent *articulating* axles

OPTIONS

- No stabilisers
- 110/240VAC GFCI power to platform
- Flashing light
- Alternative power options of gasoline or LPG
- Non-marking tyres

Danger: Standard models described in this brochure are NON-INSULATED and do not provide electrocution protection from contact with or close proximity to energised conductors which is pointed out on the decals and placards attached to the machine.

Products in this brochure comply with relevant ANSI and Australian Standards. This literature is for illustrative purposes only. Consult Operating/Maintenance and Parts Manuals for proper procedures. Specifications may vary and are subject to change without notice.

DEALER STICKER

2009 Roseport Road, Elwood, KS 66024, USA
Phone: 785-989-3000, Fax: 785-989-3070

36 Bruce Road, Levin, New Zealand
Phone: +64-6-3689168, Fax: +64-6-3689164

2/26 Redfern Street, Wetherill Park, NSW 2164, Australia
Phone: +61-2-97254000, Fax: +61-2-96093507